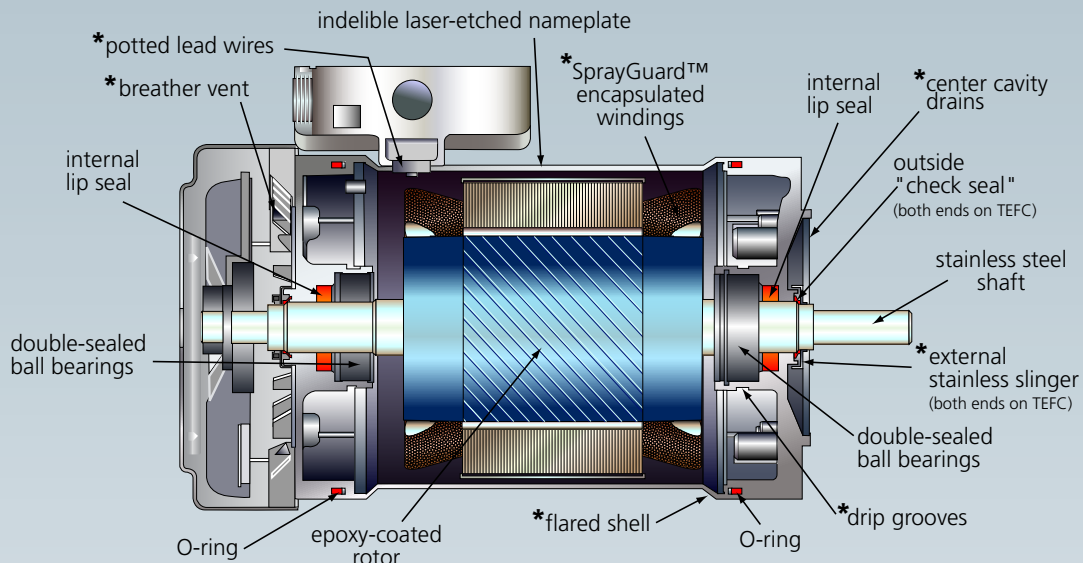


The longest lasting severe duty motor for operation in corrosive, high moisture, or washdown environments

HYDRADUTY

Made in the USA 



*Bluffton Motor Works Patented design features

Designed inside and out by Bluffton Motor Works, the leader in washdown and explosionproof motors, with the features to ensure the longest lasting motor in the industry.

This is *THE* motor to survive the toughest applications including:

- Food Processing
- Corrosive Chemical Processing/Handling
- Harsh Industrial Processes
- Marine/Outdoor Equipment
- Pharmaceutical Production



 **BLUFFTON** MOTOR WORKS

410 East Spring Street • Bluffton, IN 46714 U.S.A.
1.800.579.8527 • P: 260.827.2200 • F: 260.827.2396
Visit us at www.blmworks.com • Made in USA

C-FACE WITH BASE					
HP	Cat #	Model #	Frame	Enclosure	RPM
0.5	53092	1323007112	56C	TENV	3450
	53087	1321007115	56C	TENV	1725
	53141	1311017133	56C	TEFC	1140
0.75	53093	1323007110	56C	TENV	3450
	53088	1321007113	56C	TENV	1725
	53135	1311017121	56C	TEFC	1725
	53143	1311017134	56C	TEFC	1140
1.0	53131	1313017156	56C	TEFC	3450
	53089	1321007112	56C	TENV	1725
	53136	1311017115	56C	TEFC	1725
	53097	1321007119	143TC	TENV	1725
	53139	1311017124	143TC	TEFC	1725
	53178	1321007139	56C	TENV	1725
	53145	1311017138	56C	TEFC	1140
	53147	1311017130	143TC	TEFC	1140
1.5	53095	1313017154	56C	TEFC	3450
	53100	1313017155	145TC	TEFC	3450
	53090	1311017110	56C	TEFC	1725
	53098	1311017111	145TC	TEFC	1725
	53149	1311017127	56C	TEFC	1140
	53151	1311017132	145TC	TEFC	1140
2.0	53096	1313017152	56C	TEFC	3450
	53101	1313017153	145TC	TEFC	3450
	53091	1311017114	56C	TEFC	1725
	53099	1311017113	145TC	TEFC	1725
3.0	53154	H311007101	182TC	TEFC	1725
5.0	53156	H311007102	184TC	TEFC	1725

C-FACE W/O BASE					
HP	Cat #	Model #	Frame	Enclosure	RPM
0.5	53109	1323007113	56C	TENV	3450
	53114	1321007121	56C	TENV	1725
	53142	1311017136	56C	TEFC	1140
0.75	53110	1323007114	56C	TENV	3450
	53115	1321007117	56C	TENV	1725
	53137	1311017122	56C	TEFC	1725
	53134	1311017137	56C	TEFC	1140
1.0	53111	1313017161	56C	TEFC	3450
	53116	1321007125	56C	TENV	1725
	53138	1311017123	56C	TEFC	1725
	53121	1321007124	143TC	TENV	1725
	53140	1311017125	143TC	TEFC	1725
	53179	1321007140	56C	TENV	1725
	53196	1311017152	80-B5	TEFC	1725
	53146	1311017135	56C	TEFC	1140
	53148	1311017139	143TC	TEFC	1140
	1.5	53112	1313017159	56C	TEFC
53119		1313017160	145TC	TEFC	3450
53117		1311017117	56C	TEFC	1725
53122		1311017118	145TC	TEFC	1725
53150		1311017131	56C	TEFC	1140
53152		1311017140	145TC	TEFC	1140
2.0	53113	1313017157	56C	TEFC	3450
	53120	1313017158	145TC	TEFC	3450
	53118	1311017119	56C	TEFC	1725
	53123	1311017120	145TC	TEFC	1725
3.0	13392	H311007103	182TC	TEFC	1725
5.0	64009	H311007104	184TC	TEFC	1725

PICKER MOTOR WITH BASE					
HP	Cat #	Model #	Frame	Enclosure	RPM
3.0	13993	1311017141*	145TC	TEFC	1725

All Ratings are 208-230/460V; 40C ambient, Class F Insulation; 60/50 HZ unless otherwise noted.

* Rolled steel white epoxy Picker-Plus motor.

Inverter Duty Capable – All HydroDuty motors are designed for optimum performance with variable frequency drives.

	Low Temp Motor
	Metric Motor
	60 HZ only

Warranty Information

Bluffton Motor Works warrants that its products will be free from defects in workmanship and material at the time of shipment and will conform to the specifications published or agreed to between the purchaser and Bluffton Motor Works for a period of one (1) year from date of installation but in no event beyond two (2) years from date of manufacture. Specific to HydroDuty motors, this warranty will also cover all water related motor failures resulting from typical sanitary wash down procedures for the aforementioned period of time.

All warranty claims should be submitted through your authorized distributor. Motors requiring evaluation or analysis may be shipped freight prepaid to Bluffton Motor Works. Prior written authorization from Bluffton Motor Works is required before shipment.

The warranty stated above does not apply to products that have been subject to misuse (including use in a manner inconsistent with the design of the product), abuse, neglect, accident or improper installation (including the failure to use the waterproof splice kit provided with the motor) or maintenance, or to products that have been altered or repaired by anyone other than Bluffton Motor Works or its authorized representative.